

# Dejero

## Connectivity Anywhere

In-Vehicle Connectivity for Public Safety

### Real-time information sharing and situational awareness is mission-critical

First responders must be able to reliably, quickly, and securely get the information they need to make life-saving decisions.

Dejero blends multiple network connections—for example cellular or satellite—simultaneously to provide high reliability. By leveraging Cloud Services, data is easily shared enabling real-time awareness and decision-making.



- Consolidate data streams from individual sensors and point solutions in a central location
- Relay all relevant information in the vehicle and near vehicle to Operations Center
- Enable Command Center to stay connected to first responders and provide better support
- Connected vehicle equipped with video and sensor technologies can act as a mobile precinct

### IMPROVE SITUATIONAL AWARENESS

- Give first responders accurate and real-time incident awareness
- Communicate effectively with high quality live video and audio feeds
- Consolidate mission-critical apps and systems

**First responder safety is dramatically improved**

### DRIVE ACTIONABLE INTELLIGENCE

- Cloud Services enable cross-platform information sharing
- Understand incident and location history immediately
- Intelligence for first responder and incident command teams

**Real-time information is key for better decision making**

### REDUCE OPERATING EXPENSES

- Cellular connectivity is cost-effective and only use satellite when needed
- Dejero's in-vehicle device is easy to setup and configure
- Lower system, data storage, and in-vehicle device costs

**Network blending helps realize operational efficiencies**

"Our agency has been using Dejero since 2015 at political demonstrations, parades, and other major events where public safety is paramount. With reliable connectivity provided by Dejero, we can now move with the crowd, be in the crowd, and most importantly—protect the crowd."

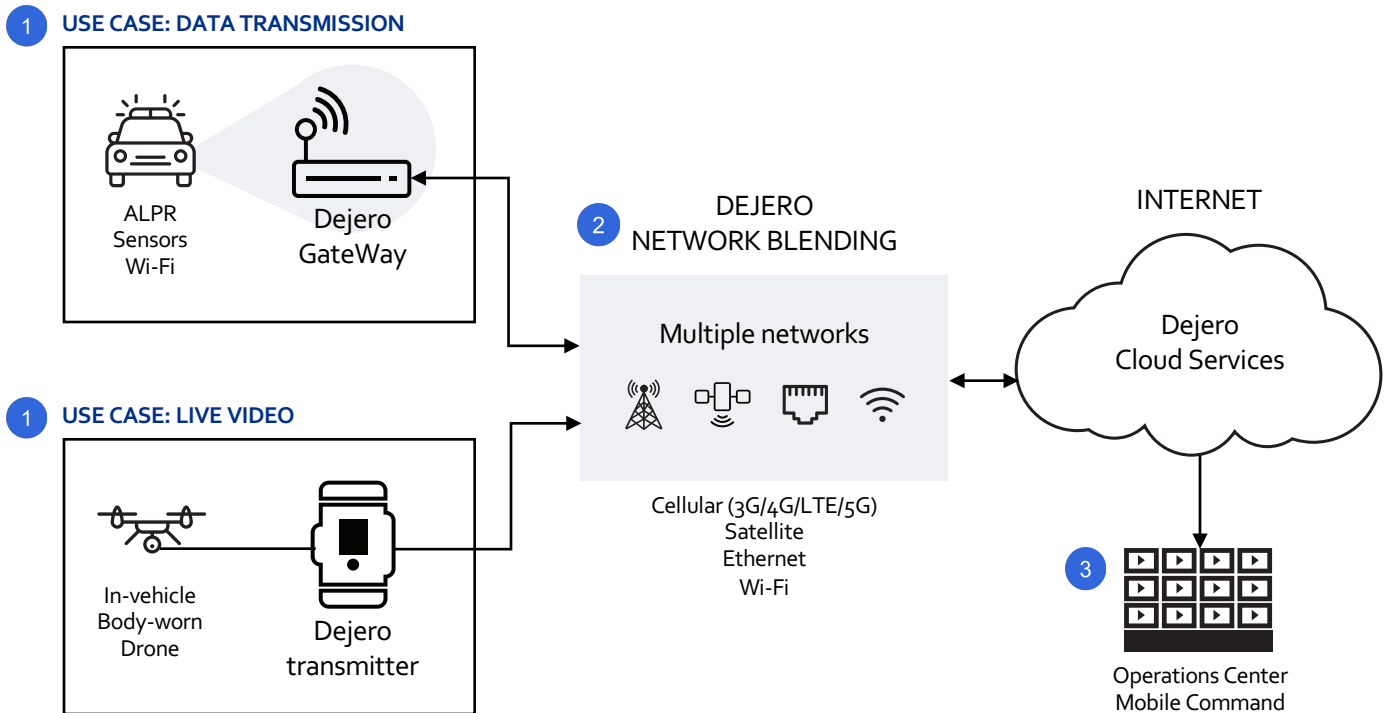
# How it works

## The ability of Dejero to deliver high bandwidth Internet connectivity is made possible by our patented and patent-pending Smart Blending Technology

We blend 3G, 4G, and LTE cellular connections from multiple carriers and additional network types, such as satellite and other wireless networks, to create a single unified virtual network.

Our algorithms dynamically and intelligently manage the fluctuating bandwidth, packet loss, and latency differences of individual connections in real-time to choose the optimal path to route video and data IP packets to their destination.

The result is increased reliability from network diversity and greater bandwidth that enables fast, bi-directional transfer of video and data.



### DATA TRANSMISSION

1. Dejero GateWay appliance installed in vehicle sends and receives data
2. Network blending technology provides a reliable, secure, and high throughput connection
3. Mission-critical data is sent and/or received from a Command Center

### LIVE VIDEO

1. Video sources can be connected to the Dejero transmitter wired (e.g. HDMI) or wirelessly
2. Intelligent and dynamic blended network is optimized for the transmission of live video
3. High-quality, low-latency video is received at a Command Center and can be integrated into existing systems via APIs

## About Dejero

Driven by our vision of reliable connectivity anywhere, Dejero blends multiple Internet connections to deliver fast and dependable connectivity required for the secure exchange of video and data. With our global partners, we supply the equipment, software, connectivity services, and support to provide the uptime bandwidth critical to the success of today's organizations.

Contact us to learn more about solutions for Public Safety

# Dejero

dejero.com/public-safety  
connectivity@dejero.com  
+1 519 772 4824

Copyright © 2019 Dejero Labs Inc. Dejero is a trademark of Dejero Labs Inc. All other trademarks are the property of their respective owners. Design, features, and specifications are subject to change without notice. Additional product specifications available at [www.dejero.com](http://www.dejero.com). 06/2019